

# RED ROCK

SERVICE PLATFORM

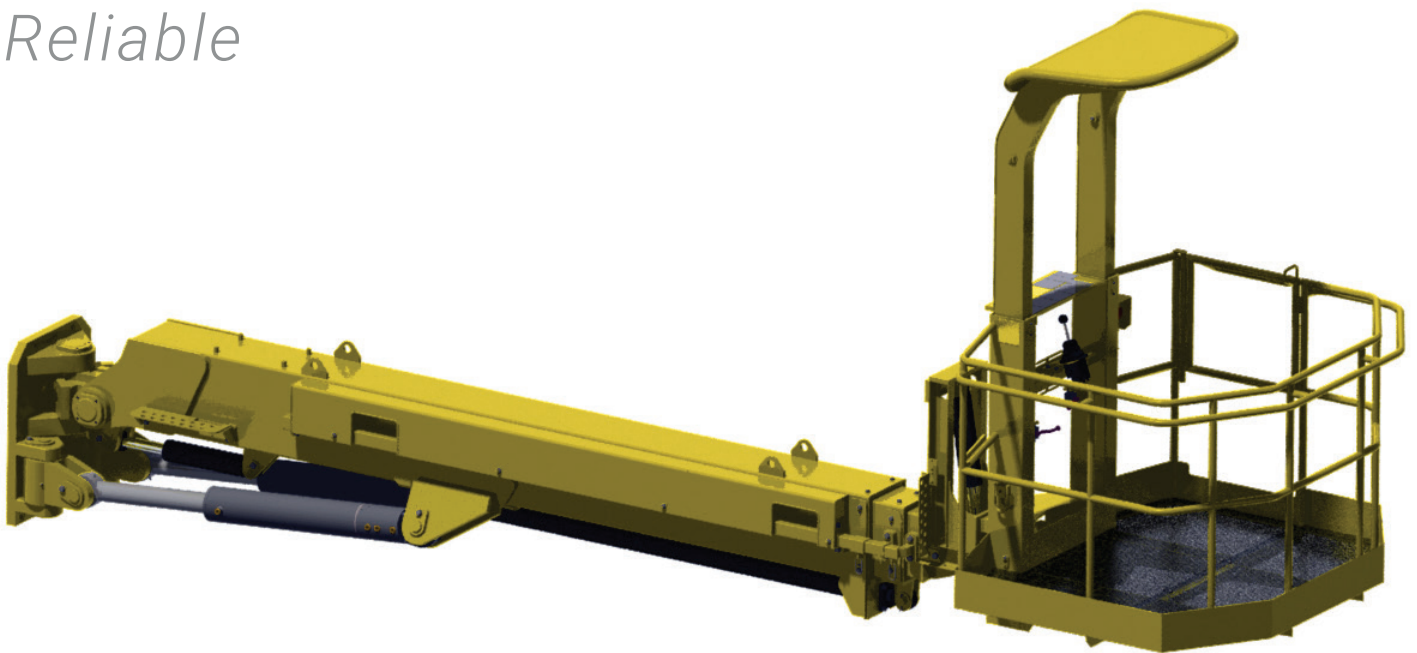
## RSP38

TUNNEL & MINING

*Operator Friendly*

*Rigid Construction*

*Reliable*



[www.redrock.no](http://www.redrock.no)



Barstølveien 50, 4636 Kristiansand, Norway

# RSP38 SERVICE PLATFORM

The RSP38 can be supplied with a range of customized baskets and service options depending on operational requirements. The unit features a double telescopic hydraulic boom for extended reach and a wider area of application. Rear main components are lubricated through a central inlet, optimizing service and maintenance procedures. Lift, swing, tilt, reach, and emergency stop/lowering are operated from inside the basket, with an alternative control unit for swing and lift/lowering placed on rig at ground level.

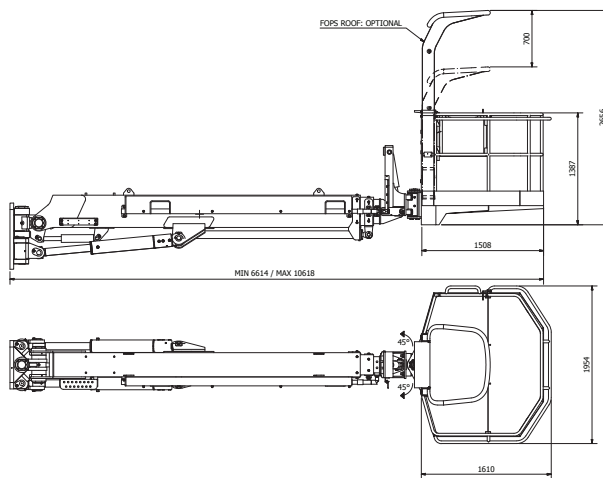
RSP38 was developed for rigs operating within the mining and tunnelling industry, in addition to being applicable towards other industrial segments. Whether it involves routine inspection and service, general installation, safety related activities, rock scaling, bolting or charging, the RSP38 can be equipped to perform the task.

MODEL	RSP38 WS 10.6
Construction weight	2717 Kg
Max. basket load	700 Kg
Basket L x W	1500 x 1800 mm
Boom lift	+60°/-35°
Boom swing	+45°/-45°
Basket swing	+45°/-45°
Boom reach	6600/10600 mm
Coverage area	228 m <sup>2</sup>
Hydraulic pressure	200 bar
Oil flow*	40 l/min

\*Relief valve: 220 Bar

## Available Options

- Stainless steel basket
- Hydraulic FOPS roof
- Air/water connection inside basket
- Hydraulic connection inside basket
- Custom made options upon request



## Documentation.

Approved according to EN 280+A2:2009 EU regulations.  
 Red Rock TM declaration by the manufacturer.  
 Supplied with user manual and spare parts list.

## Alternative Products

Red Rock TM provides service platforms with reach from 3.7m up to 14.8m.  
 Red Rock TM provides service platforms with load capacity up to 2000kg.

Red Rock supplies equipment towards leading vendors and contractors within the tunnel and mining industry. We strive to continuously improve design and quality in close cooperation with customer demands and in compliance with current regulations. Our staff consists of highly educated and experienced employees with thorough technical backgrounds and senior engineers with over 25 years of experience from working within the industry segment.



**Contact:**  
 Bjørn Mossestad  
 Chief Marketing Officer

+47 46 84 34 09  
 bjm@redrock.no  
 www.redrock.no